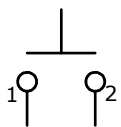


PANEL MOUNTING



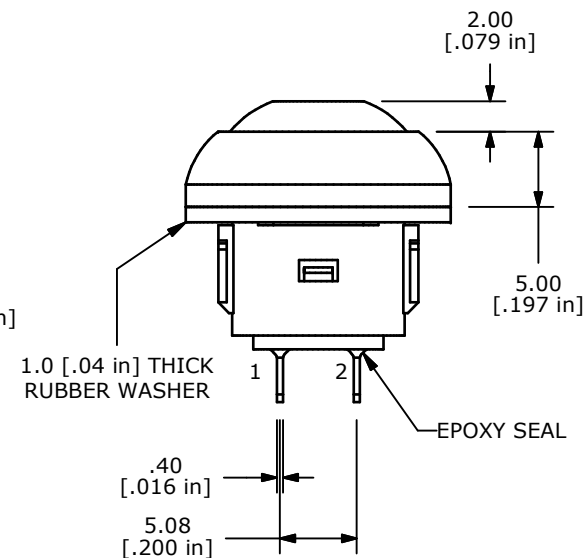
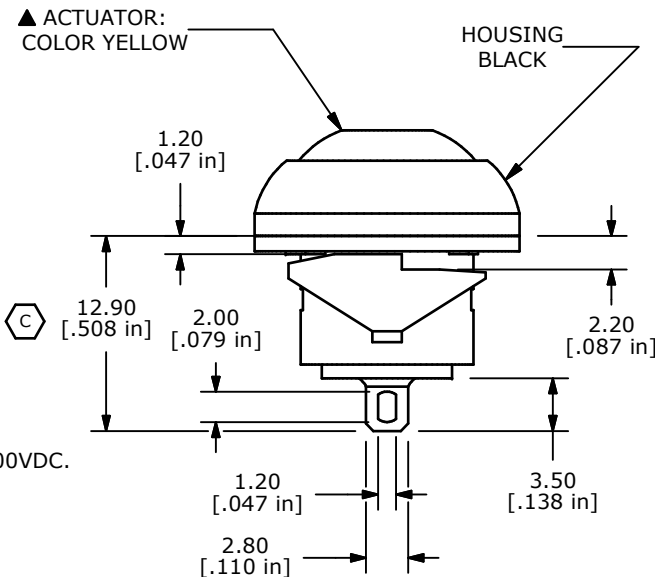
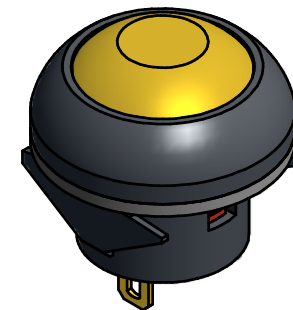
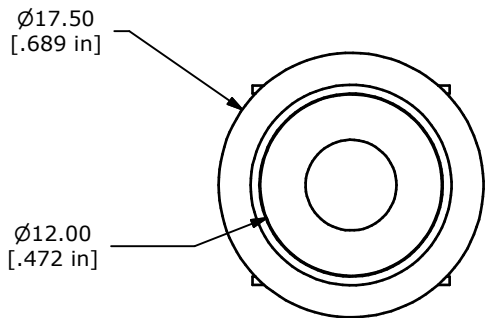
▲ **CIRCUIT: SPST**
OFF-(ON)
MOMENTARY B

NOTE:

1. ALL DIMENSIONS IN MM [INCH]
2. GENERAL TOLERANCE: X.X=±0.4
X.XX=±0.25
3. TERMINAL NUMBERS FOR REF ONLY
4. CIRCUIT: SPST OFF-MOMENTARY ON
5. CONTACT MATERIAL: GOLD over SILVER
- ▲ 6. RATING: 125mA @ 125 VAC
100mA @ 50 VDC
- ▲ 7. ELECTRIC LIFE: 500,000 CYCLES AT FULL LOAD
8. CONTACT RESISTANCE: 50 milli-OHM max. (INITIAL)
9. INSULATION RESISTANCE: 1,000 MEGA-OHM min. @ 500VDC.
10. DIELECTRIC STRENGTH: 1,000 VAC rms.
- ▲ 11. OPERATING FORCE: 350 gf +/- 150 gf
12. OPERATING TEMPERATURE: -30°C TO +85°C.
13. CONTACT BOUNCE: 10ms MAX.
- ▲ 14. TRAVEL: 1.5mm
15. PANEL THICKNESS RANGE: 0.8 - 1.8 mm.
16. ▲ DENOTES CRITICAL PARAMETER.
17. 2002/95/ED (ROHS) COMPLIANT
18. HARDWARE INCLUDED:

1. T081100 RUBBER SEAL (1)

- B 19. SEAL RATING: IP67 AT FRONT PANEL D



| | | | | |
|-----|--------|--------------------------------------|----------|-----|
| D | 21594 | SEAL RATING CHANGE FROM IP65 TO IP67 | 9/24/14 | EBP |
| C | 19489 | CORRECT NOTE & DIM / DWG CLEAN-UP | 12/01/10 | BMA |
| B | 19358 | MISC. DRAWING UPDATES | 10/25/10 | BMA |
| A | 18004 | RELEASE FOR PRODUCTION | 3/12/08 | BLR |
| REV | PCR NO | DESCRIPTION | DATE | BY |

THE INFORMATION CONTAINED IN THIS DOCUMENT IS PROPRIETARY TO E-SWITCH AND IS NOT TO BE COPIED OR TRANSFERRED



TITLE RP8100B1M1CEBLKYELNIL

| | | | | |
|-------|-----------|-----|----------|-----|
| SCALE | DATE | DR | DWG | REV |
| 2 : 1 | 3/12/2008 | BLR | ST081028 | D |